

# Black Jack

by Big Ass Fans®

Offered Exclusively for  
Rental or Sale by



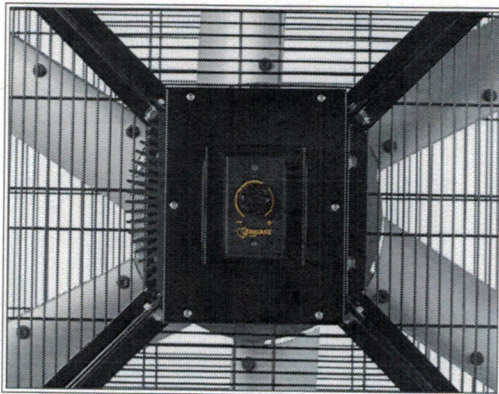
Designed by Big Ass Customers. Built by Big Ass Fans.



We asked our customers what they wanted in a mobile fan—and then we designed Black Jack. Customers wanted a fan they could bring anywhere, so Black Jack features indoor/outdoor rubber wheels and a 6.5-ft (2-m) frame that can fit through standard interior doors. They wanted a fan that was compatible with standard outlets, so we designed Black Jack to fit any 110V power supply. They wanted quiet, effective air movement, so we gave Black Jack a direct-drive motor that creates airflow across a third of a football field but won't interrupt conversation just a few feet away. Customers wanted a fan that was easy to use and easy to clean, so we delivered Black Jack fully assembled, and made it wet-rated so it's simple to hose down if it gets dirty.

#### Features and Benefits:

- 6.5-ft (2-m) frame fits through most standard interior doors
- 25-ft cord (10-ft available) plugs into any 110 V power supply
- Whisper-quiet direct-drive motor draws only 7.5 amps at top speed
- Creates airflow across one third of a football field (120 feet!)
- Arrives pre-assembled on special roll-off shipping pallet
- Standard indoor/outdoor wheels with rubber tread
- Variable speed control for fully adjustable airflow
- Steel frame and cage for protection in the toughest environments
- Wet-rated for indoor/outdoor use and easy wash-down



**Portable Air Solutions**  
An EventSource Company

05-10-2016

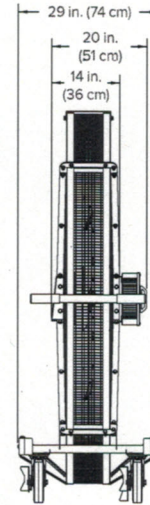
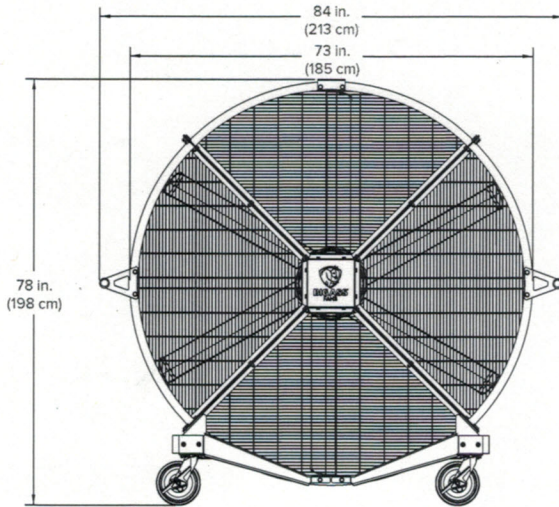
(803) 600-6226 | [PortableAirSolutions.COM](http://PortableAirSolutions.COM)



**BIG ASS**  
FANS

# Black Jack

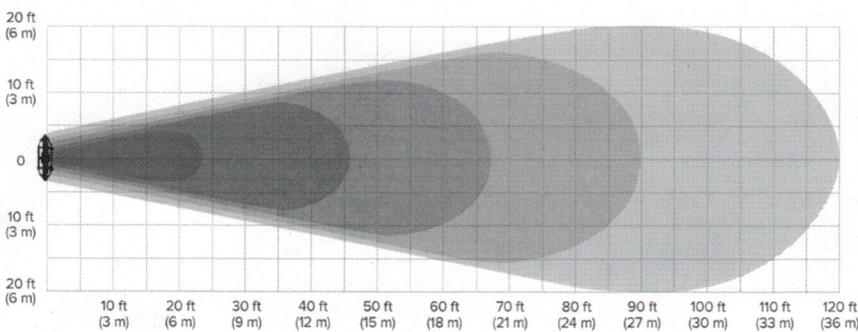
## TECHNICAL SPECIFICATIONS



### Technical Specifications

<b>Dimensions (W x H x D)</b>	84 in. x 78 in. x 29 in. (213 cm x 198 cm x 74 cm)
<b>Cage</b>	OSHA compliant
<b>Controller</b>	Black Jack variable speed control
<b>Input power</b>	100–125 VAC, 1 $\Phi$ , 50/60 Hz
<b>Motor</b>	ECM
<b>Maximum power</b>	471 Watts
<b>Maximum speed</b>	291 RPM
<b>Maximum amp draw</b>	7.5 A
<b>Sound level (maximum speed)*</b>	63.5 dBA
<b>Weight</b>	310 lb (141 kg)
<b>Certifications</b>	ETL/Intertek-certified to UL 507 and CSA C22.2
<b>Warranty</b>	3 years in the US and Canada**

\*Fans are sound tested at maximum speed in a laboratory environment. Actual results in field may vary due to sound reflecting surfaces and environmental conditions.  
 \*\*3 years parts, lifetime airfoils and hub. Warranties vary by country. See complete warranty for details.



### Black Jack Air Velocity

- Shaded area represents effective cooling area
- Darker shaded areas represent higher air velocities
- Air velocities range from 320 fpm to 114 fpm (to 120 ft)
- fpm = feet per minute

